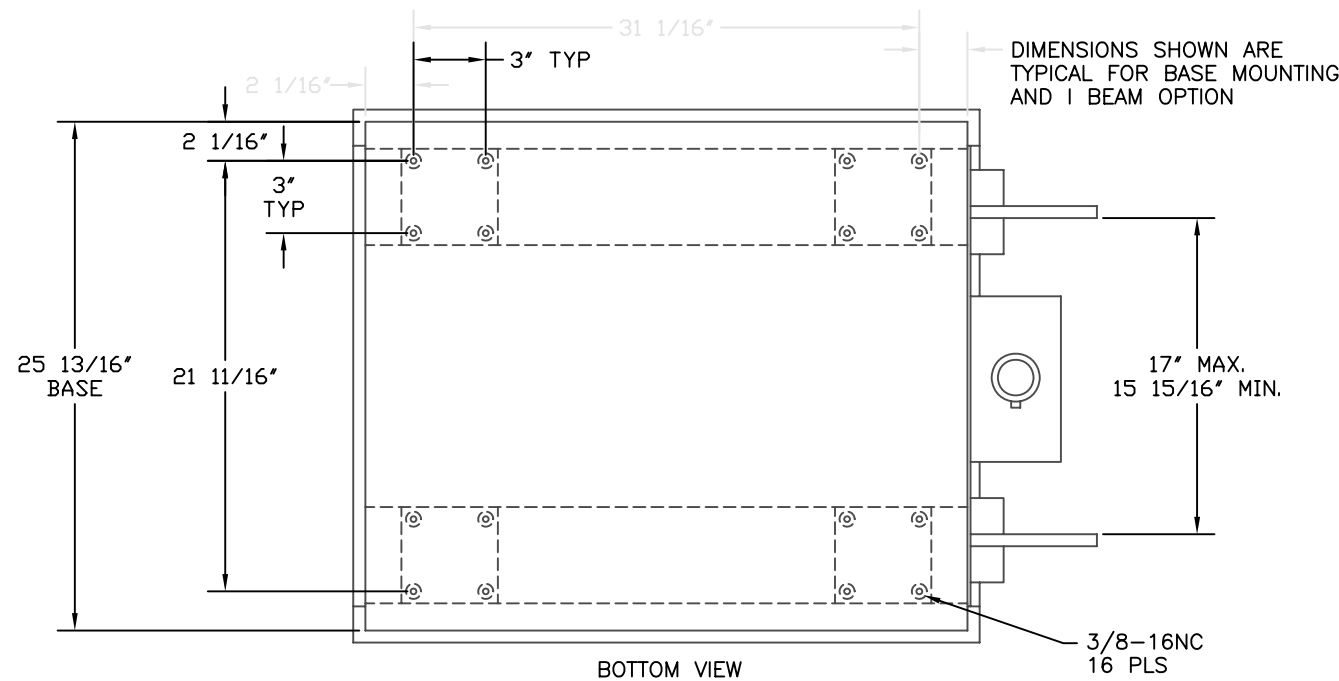
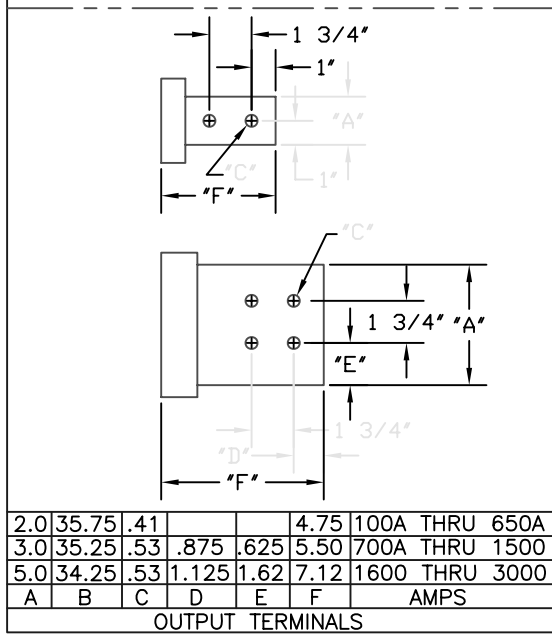
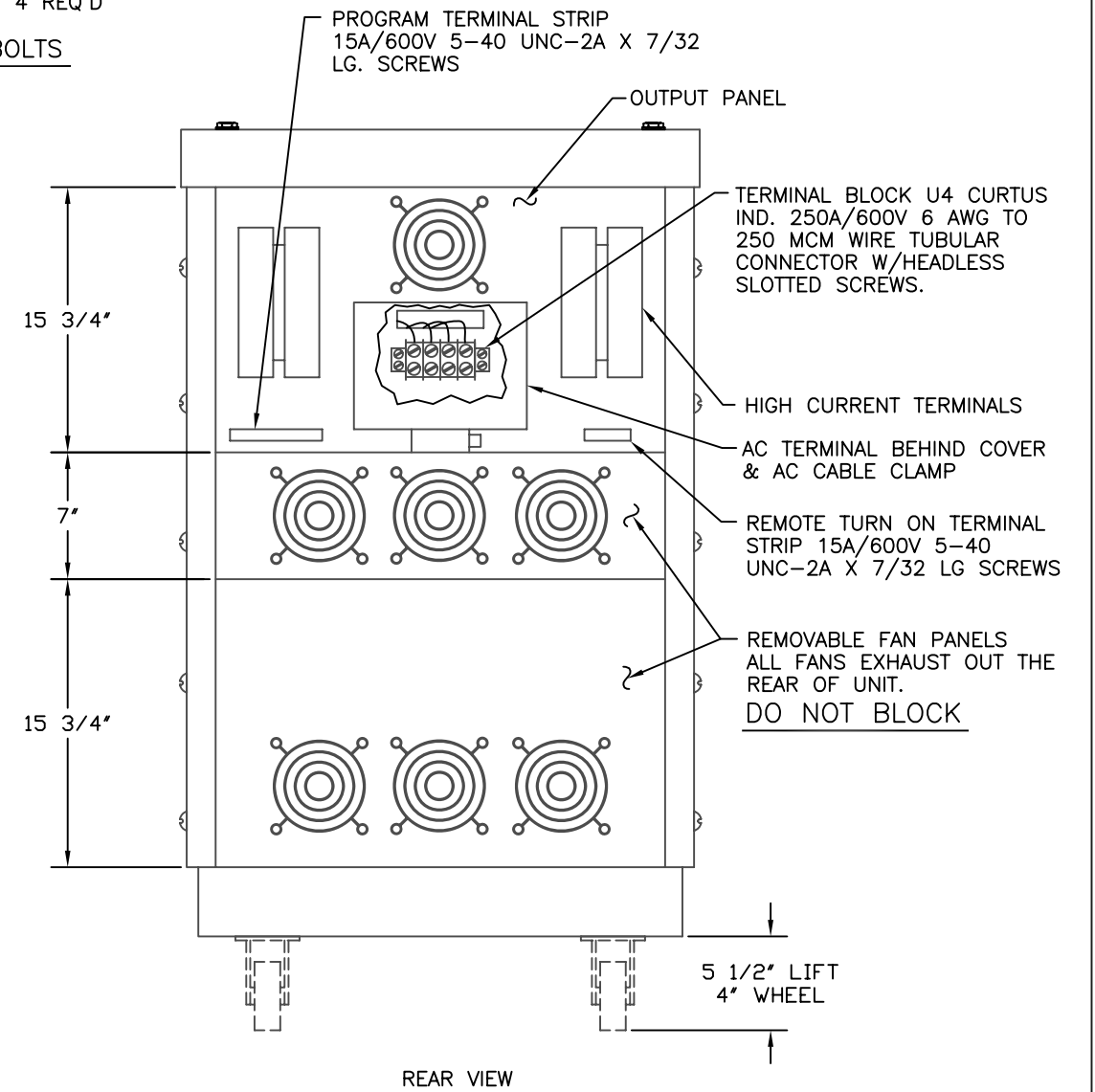
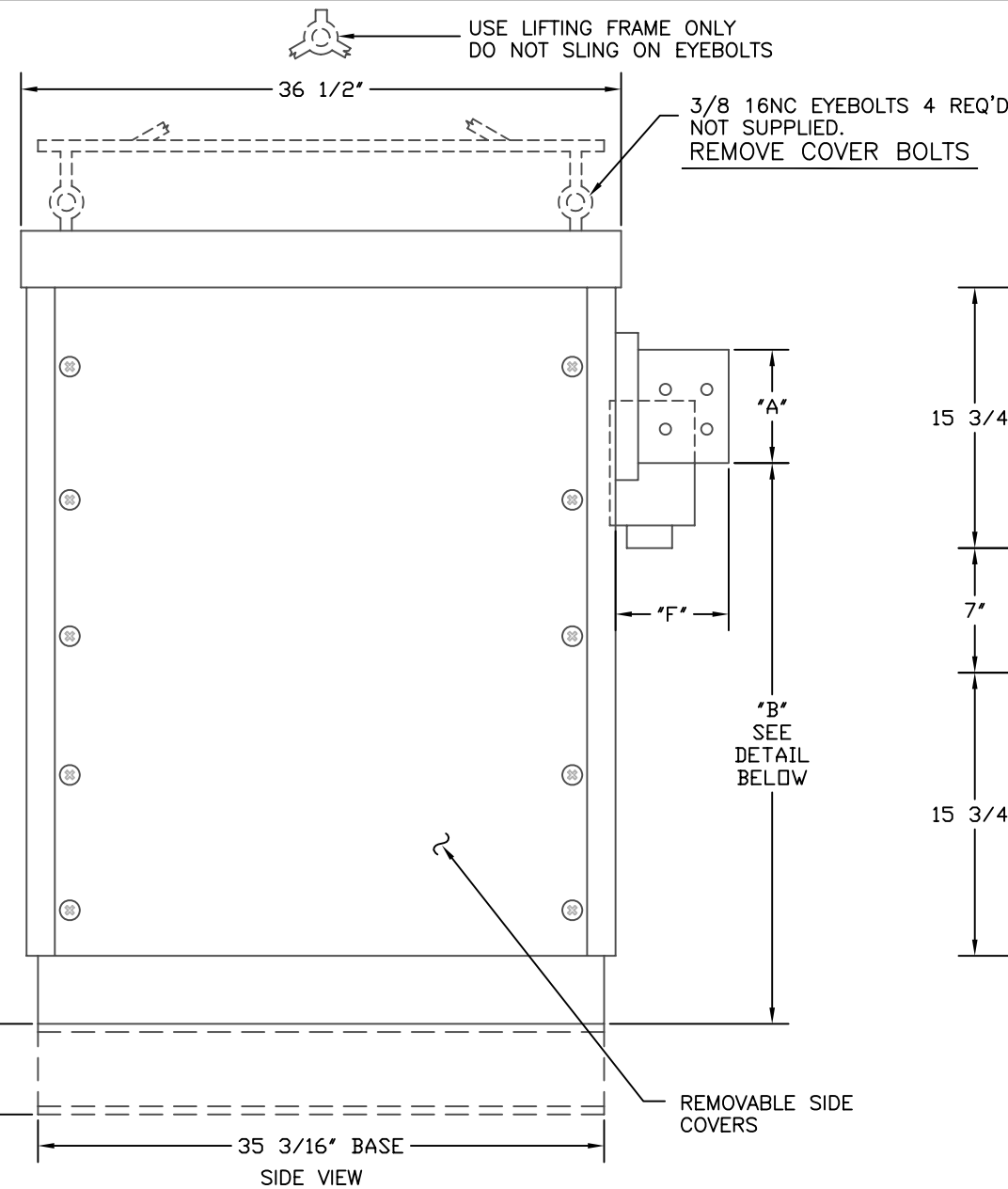
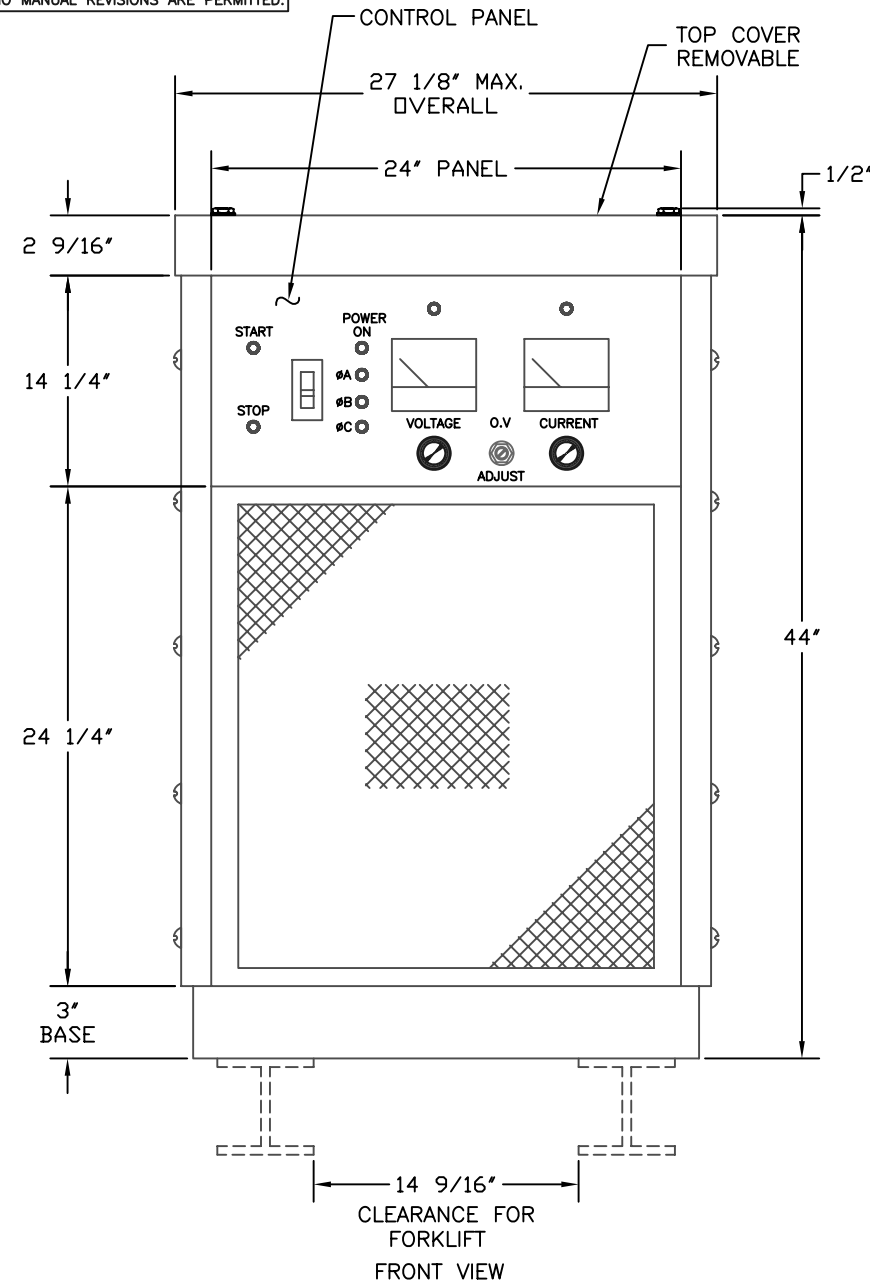


THIS IS A COMPUTER GENERATED DWG.
NO MANUAL REVISIONS ARE PERMITTED.

APPLICATION			LTR	E.C.O. NO.	BY	APP.
USED ON	NEXT ASSY.	QTY.	A	RDWN ACAD	8/29/97	CJS



- NOTES:
- COLOR: CABINET & TOP COVER "BLACK"
PANELS & SIDE COVER "TAN"
 - MAXIMUM EXTERNAL AMBIENT TEMPERATURE 50°C AT INTAKE
 - TERM BARS MATE WITH THOMAS & BETTS 600V COPPER CABLE "LOCKTITE" CONNECTORS OR EQUIVALENT FOR I/O THRU 500MCM CABLE.
 - OPTION FEATURES:
 - BASE MOUNTING
 - CASTORS
 - BEAM

	2.0	3.0	4.0	5.0	6.0	7.0	8.0	9.0	10.0	11.0	12.0	13.0	14.0	15.0	16.0	17.0	18.0	19.0	20.0
A	35.75	35.25	34.25	34.25	34.25	34.25	34.25	34.25	34.25	34.25	34.25	34.25	34.25	34.25	34.25	34.25	34.25	34.25	34.25
B	.41	.53	.53	.53	.53	.53	.53	.53	.53	.53	.53	.53	.53	.53	.53	.53	.53	.53	.53
C		.875	.875	.875	.875	.875	.875	.875	.875	.875	.875	.875	.875	.875	.875	.875	.875	.875	.875
D		.625	.625	.625	.625	.625	.625	.625	.625	.625	.625	.625	.625	.625	.625	.625	.625	.625	.625
E		5.50	5.50	5.50	5.50	5.50	5.50	5.50	5.50	5.50	5.50	5.50	5.50	5.50	5.50	5.50	5.50	5.50	5.50
F		7.00	7.00	7.00	7.00	7.00	7.00	7.00	7.00	7.00	7.00	7.00	7.00	7.00	7.00	7.00	7.00	7.00	7.00
		100A THRU	150A THRU	200A THRU	300A THRU	400A THRU	500A THRU	600A THRU	700A THRU	800A THRU	900A THRU	1000A THRU	1100A THRU	1200A THRU	1300A THRU	1400A THRU	1500A THRU	1600A THRU	1700A THRU

MTL:	TOL:	REL. TO MFG.	ENG. CTL.	DATE:
N/A	.X = ±.02" .XX = ±.01" .XXX = ±.005" FRAC. = ±1/64" ANGLES = ±1/2"	PRJ. ENG. DATE:	DWN: DATE:	1/18/91
FIN:	P/L: 459	DOC. REL. DATE:	CHK: DATE:	1/19/91
N/A	SCALE: NONE	DO NOT SCALE DWG.	APP: DATE:	1/29/91

SHEET 1 OF 1

ELECTRONIC MEASUREMENTS, INC.

DIMENSIONAL OUTLINE
EMHP SIZE 3.5

DWG. NO. 02-459-009 REV. A