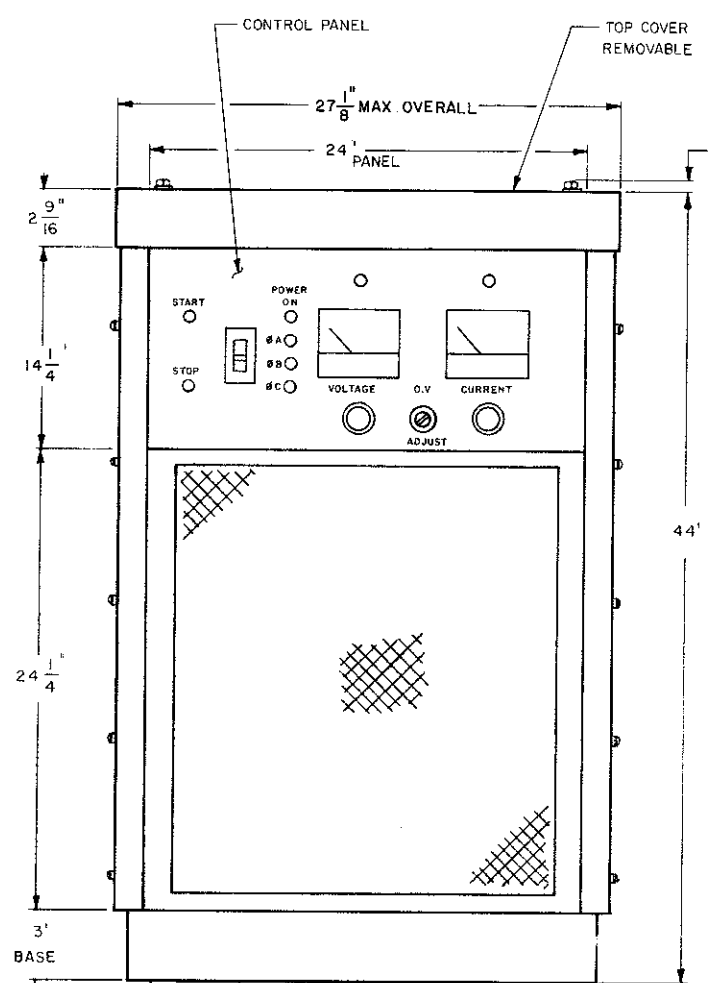
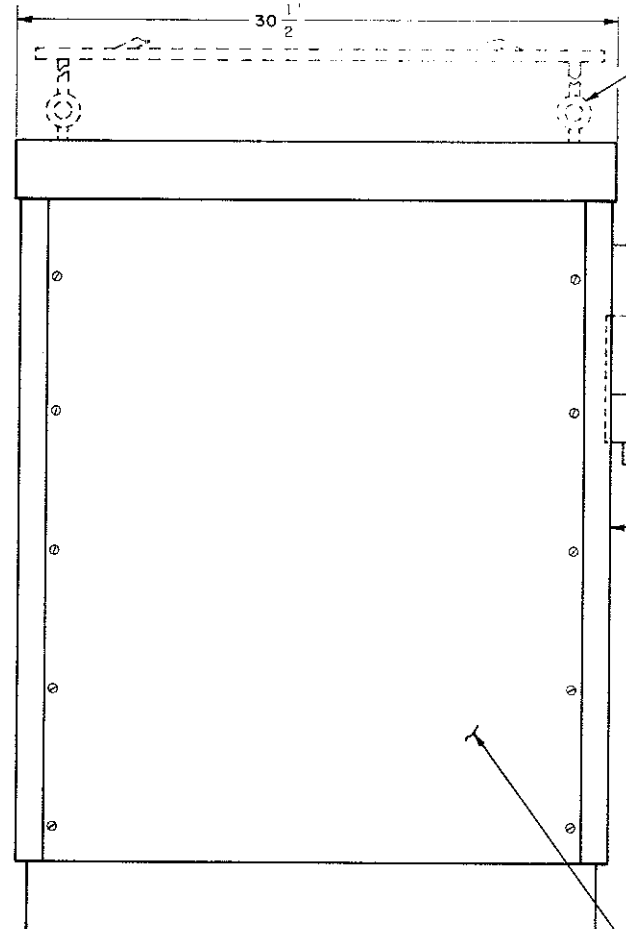


APPLICATION			LTR	E.C.O. NO.	BY	APP.
USED ON	NEXT ASSY.	QTY.	A	DEPTH - JAG 20 3/4	DATE 5-24-80	JH
			B	APR 30 1980	DATE 11/18/01	mf

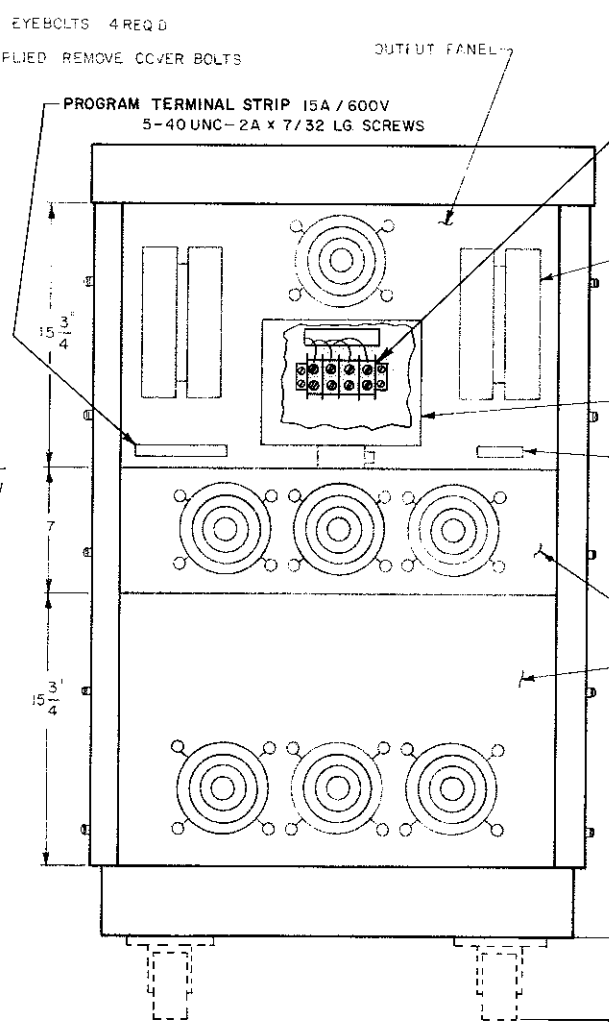
USE LIFTING FRAME ONLY
DO NOT SLING ON EYEBOLTS



FRONT VIEW



SIDE VIEW

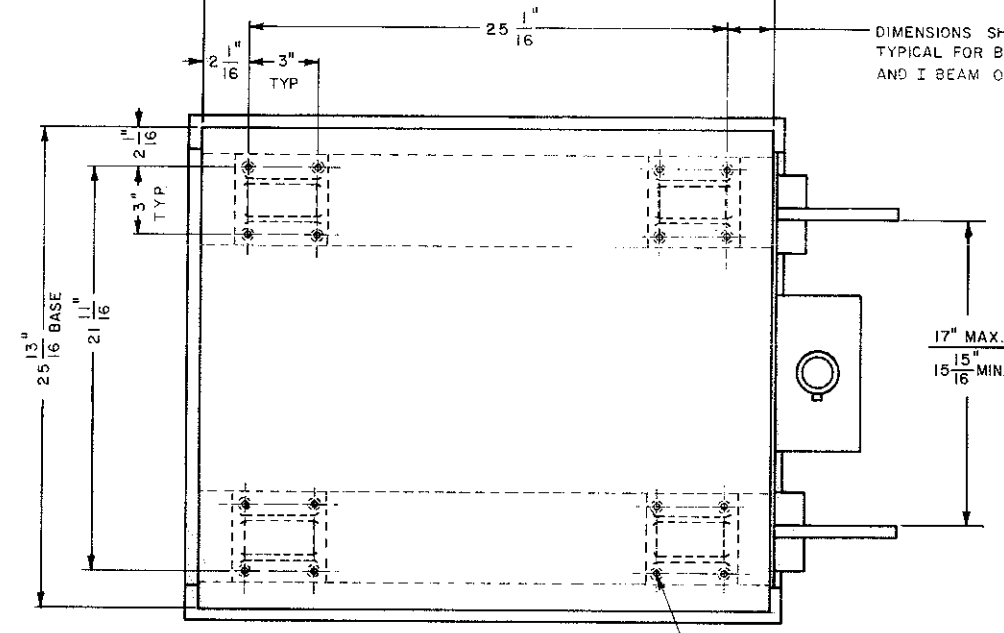


REAR VIEW

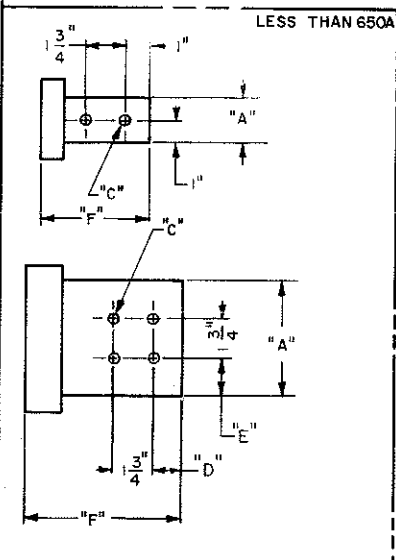
- TERMINAL BLOCK - U4 CURTUS IND.
250A / 600V 6 AWG TO 250 MCM WIRE
TUBULAR CONNECTOR W/ HEADLESS SLOTTED SCREWS
- HIGH CURRENT TERMINALS
- A C TERMINAL BEHIND COVER & A C CABLE CLAMP
- REMOTE TURN ON TERMINAL STRIP 15A / 600V
5-40 UNC-2A x 7/32 LG SCREWS
- REMOVABLE FAN PANELS
ALL FANS EXHAUST OUT THE REAR OF UNIT
DO NOT BLOCK

- NOTES:
- 1) COLOR CABINET & TOP COVER = BLACK
PANELS & SIDE COVER = TAN
 - 2) MAXIMUM EXTERNAL AMBIENT TEMPERATURE 50°C AT INTAKE
 - 3) TERM BARS MATE WITH THOMAS & BETTS 600V COPPER CABLE "LOCKTITE" CONNECTORS OR EQUIVALENT FOR 1/0 THRU 500MCM CABLE
 - 4) OPTION FEATURES:
 - 1) BASE MOUNTING
 - 2) CASTORS
 - 3) I BEAM

DIMENSIONS SHOWN ARE TYPICAL FOR BASE MOUNTING AND I BEAM OPTION



BOTTOM VIEW



2.0	35.75	.41	—	—	4.75	100A THRU 650A
3.0	35.25	.53	.875	.625	5.50	700A THRU 1500
5.0	34.25	.53	1.125	1.62	7.12	1600 THRU 3000
A	B	C	D	E	F	AMPS

MTL	TOL:	DWN	DATE	ELECTRONIC MEASUREMENTS	
H	XX = ± .02" XXX = ± .005" FRACTIONS ± 1/16"	DATE 1/14/80	DATE 1/14/80	TITLE: DIMENSIONAL OUTLINE	
FIN	459	DATE 1-30-80	DATE 1-30-80	EMHP SIZE III	
	SCALE: 1/16"	DATE 1-30-80	DATE 1-30-80	DWG. NO. 02-459-003	REV. B