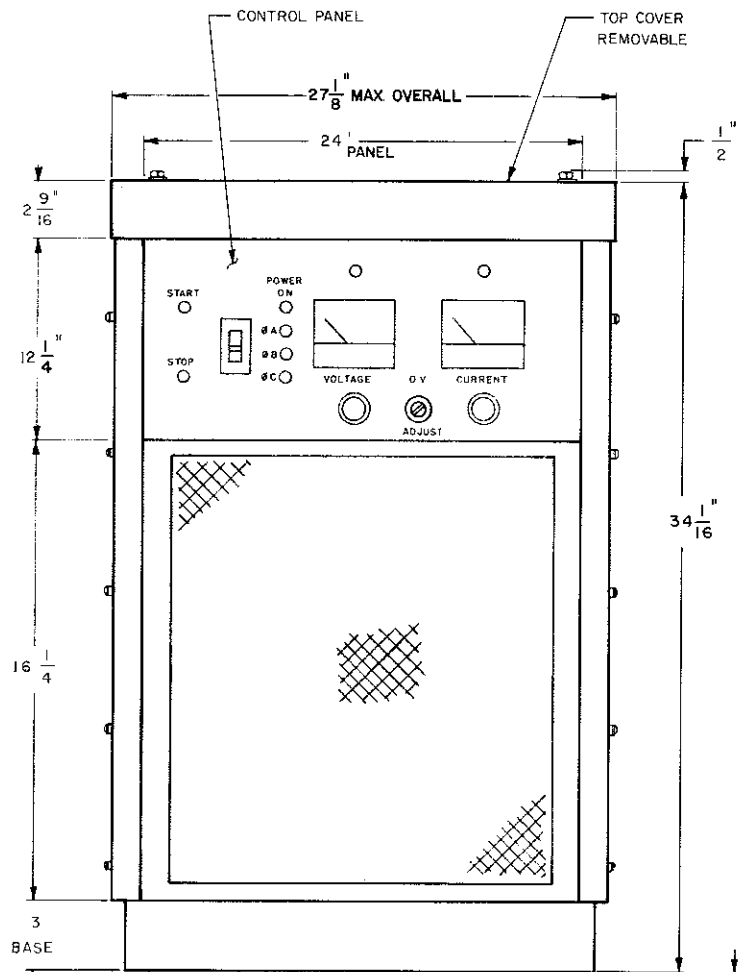
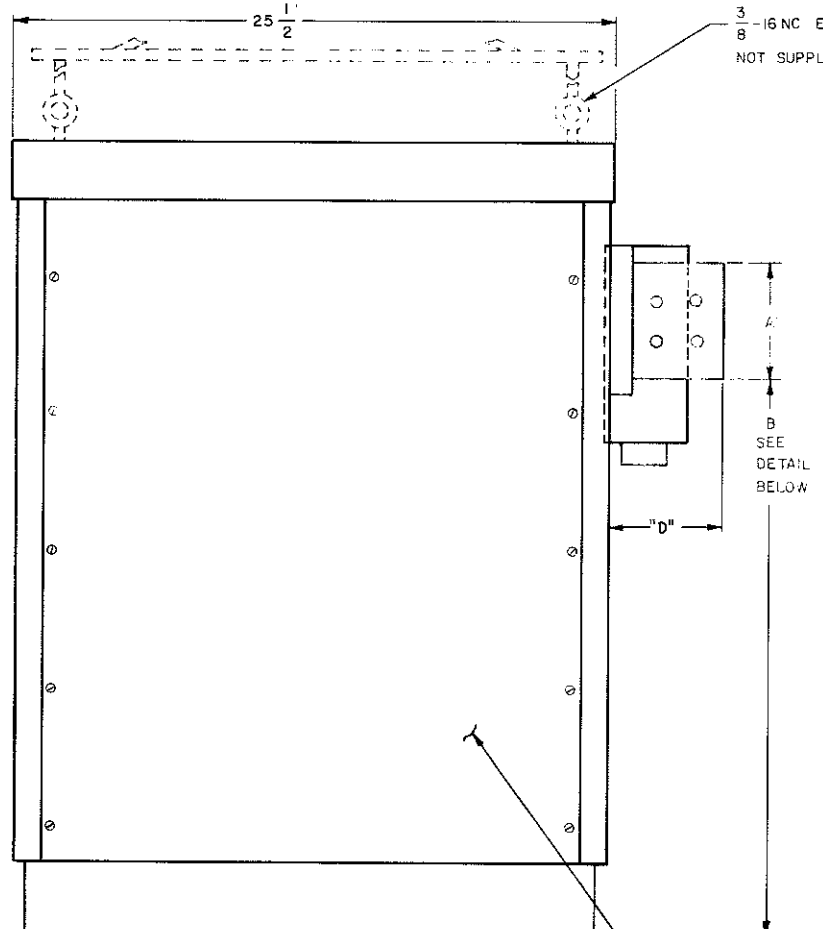


APPLICATION			LTR	E.C.O. NO.	BY	APP
USED ON	NEXT ASSY.	QTY.	A	DEPTH WAS 2 5/16	5-24-00	JH
			B	ASSEMBLY 10/18/00		JH
				SPECS		

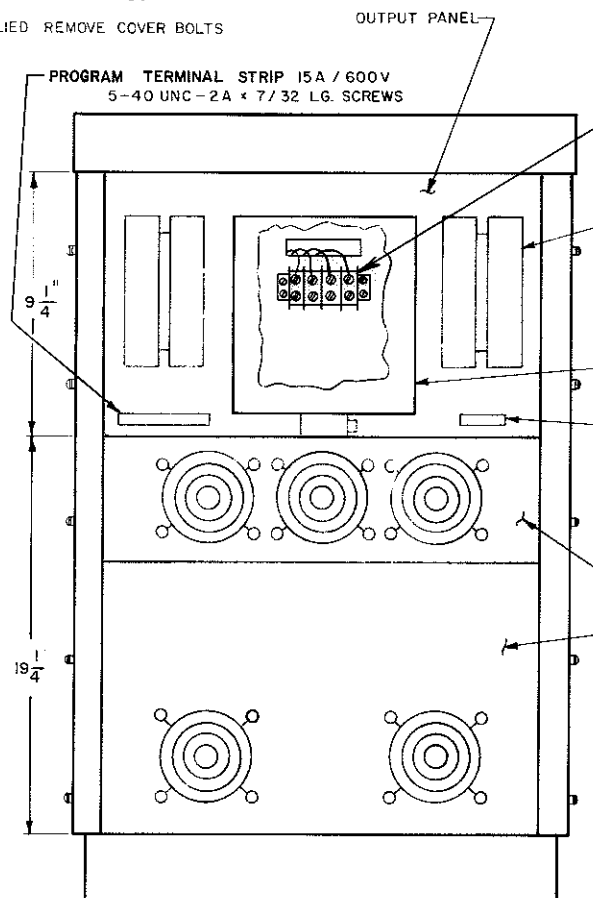
SHEET 02-459-004



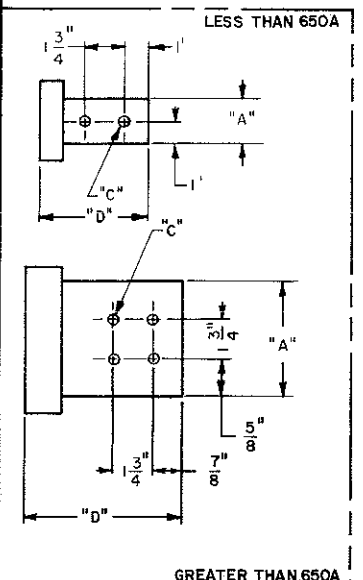
FRONT VIEW



SIDE VIEW

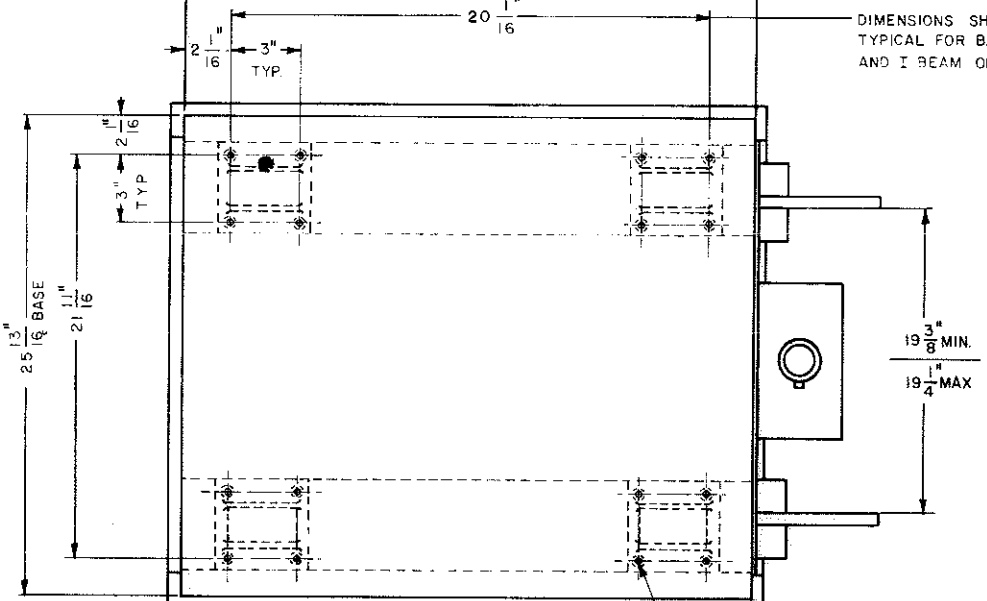


REAR VIEW



2.0	26.68	.41	4.75	LESS THAN 650A
3.0	26.87	.53	5.50	GREATER THAN 650A
A	B	C	D	AMPS

OUTPUT TERMINALS



- NOTES:
- COLOR: CABINET & TOP COVER = BLACK
PANELS & SIDE COVER = TAN
 - MAXIMUM EXTERNAL AMBIENT TEMPERATURE 50°C AT INTAKE
 - TERM BARS MATE WITH THOMAS & BETTS 600V COPPER CABLE "LOCKTITE" CONNECTORS OR EQUIVALENT FOR 1/0 THRU 500 MCM CABLE
 - OPTION FEATURES:
 - BASE MOUNTING
 - CASTORS
 - I BEAM

MTL:	TOL:	DWN:	DATE:	ELECTRONIC MEASUREMENTS
CH	XX = ± .02"	AS	11/10/00	
FIN:	XXX = ± .005"	CHK:	DATE:	DIMENSIONAL OUTLINE EMHP SIZE II
CH	FRACTIONS ± 1/16"	JH	10/2/00	
	SCALE:	APP:	DATE:	DWG. NO. 02-459-004
		JH	1-30-00	REV. B