

3750 to 7500W Front End Power Supplies

Features

- ◆ 2U High
- ◆ Up to 22,500W in 19" Rack
- ◆ Hot Swappable
- ◆ High Efficiency



Key Market Segments & Applications

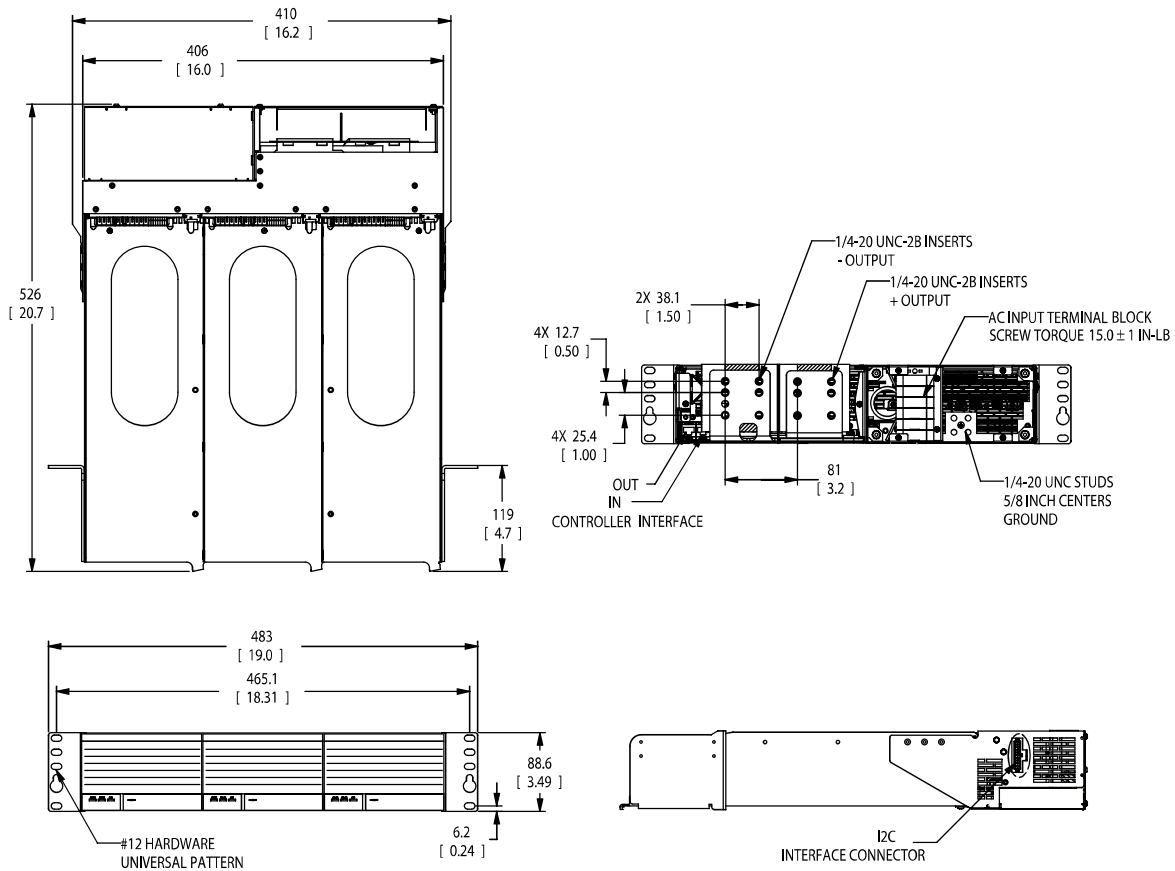


Specifications			TX375024	TX500048	TX7500W48
Model			24V Nominal	48V Nominal	48V Nominal
Output Voltage Range	(1) VDC		21-28	42-56	42-56
Total Regulation	%			±1%	
Output Current	(5) A(max)		150	100	150
Current limit	(1) A		155	110	155
Short Circuit Current	rms A		50	35	50
Output Noise	mV		250mV peak to peak (10kHz to 20MHz)		
Output Rise Time	ms		100-400 ms		
Dynamic Response	%		3% in 10ms for a 10-100% load change		
Overvoltage Protection	(1) VDC		27-30	54-60	
Load Sharing	%		±5% of full load		
Remote On/Off	V		Shuts down outputs by applying 3.3 to 5V		
Auxiliary Output	(4) -		12V@200mA		
AC Input	VAC		180-264 (Individual Inputs)		180-305
Input Frequency	Hz		47-63		
Power Factor	-		0.99 typ. @ 230VAC, full load, meets EN61000-3-2		
Inrush Current	(2) A		30 amps peak		
Efficiency (at 230VAC)	%		90	92	92
Immunity	-		EN61000-4-2,-3,-4,-5,-6,-8,-11		
EMC (conducted and radiated)	-		EN55022, Level B, FCC Class B		
Operating Temperature	°C		-40 to 65 (full power)		-40 to 65 (3)
Storage Temperature	°C		-40 to 85		
Humidity	%		5 to 95 (non-condensing)		
Altitude	ft		-200 to 8000		
Shock	G		IEC68-2-27, Mil-STD-810E, 20G		
Vibration	Hz		IEC68-2-64 (random) 20-2000Hz, 30 minutes		
Safety Agency	-		UL60950-1, EN60950-1, CE Mark		
Size (L x W x H)	in.		15.94 x 5.18 x 3.20 (Power Module), 21.00(D) x 16.12(W) x 3.49(H) (Rack)		
Weight	lbs		Power Module 15lbs, Rack 12lbs		
Warranty	yrs		Two Years		

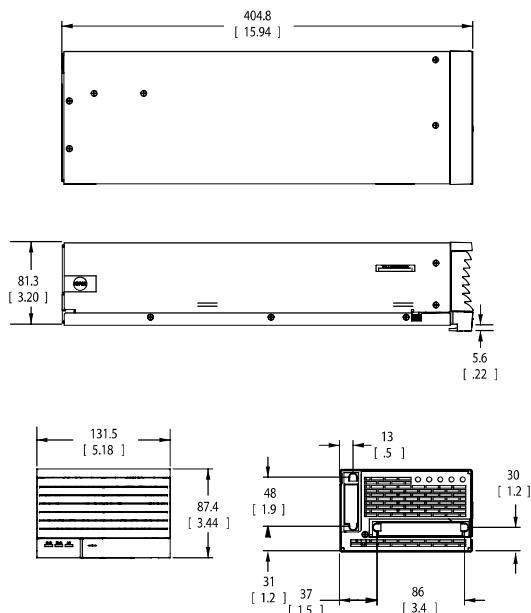
1. Adjustable via i²C
2. Excludes Xcaps in the EMC input filter
3. TX7500W48 derate 2%/°C above 50°C to 65°C
4. Operates independent of main DC output and is referenced to (-)Vout
5. Minimum load of 2A required per power supply

Last time buy date May 31st, 2019

TX Rack Outline Drawing



TX Module Outline Drawing



Models

Model	Output Voltage	Output Current	Maximum Power
TX375024	24V	150A	3600W
TX500048	48V	100A	4800W
TX7500W48	48V	150A	7200W
TXR3	19" Rack holds upto 3 TX Modules (Individual AC Feed)		
TXR3025	19" Rack with 3 Phase Delta Input		
TXR3026	19" Rack with 3 Phase WYE Input		
TXRBP	Blanking panel for one module slot		

Mating Connector

Mating Housing	Molex Micro-Fit 43025-2000
Mating Terminal	Molex Micro-Fit 43030-0002

Other Hotswap Products

HFE	1U 1600-2500W Front End
FPS1000	1U 1000W Low Cost Front End

For Additional Information, please visit us.tdk-lambda.com/lp/products/tx-series.htm



Last time buy date May 31st, 2019