

6A to 30A, 250VAC EMI Filters

Features

- ◆ Two Stage for High Attenuation
- ◆ Screw Terminals with Cover
- ◆ Improved Performance over MB Series



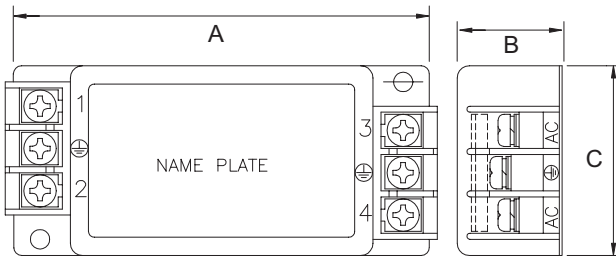
Last time buy - June 1, 2014

Specifications		MXB1206-33	MXB1210-33	MXB1220-33	MXB1230-33
Rated Voltage (AC,DC)	V	250V			
Rated Current (AC,DC) (1)	A	6	10	20	30
Test Voltage (terminal to case, AC 1 min.)	V	2500V (20mA) at 25°C, 70% RH			
Isolation Resistance (terminal to case, 500VDC)	Ω	100MΩ min. at 25°C, 70% RH			
Leakage Current	-	125V, 60Hz, 0.5mA max.; 250V, 60Hz, 1.0mA max.			
DC Resistance	mΩ	300 max.	100 max.	20 max.	10 max.
Temperature Rise	°C	35°C max.		40°C max.	
Operating Temperature (1)	°C	-25 to +85°C			
Operating Humidity	%	30% to 90% RH (non-condensing)			
Storage Temperature	°C	-30 to +85°C			
Storage Humidity	%	10% to 95% RH (non-condensing)			
Vibration	-	Sweep:10-55-10Hz (1min.), Amplitude 1.5mm X, Y, and Z axes, 2 hours each			
Safety Standard	-	Approved by UL1283, CSA C22.2 No.8 (C-UL), EN133200 (VDE0565)			

Notes:

- (1) Value at Ta ≤ 50°C. Refer to the derating curve at Ta > 50°C.
- (2) Value at Ta ≤ 45°C. Refer to the derating curve at Ta > 45°C.
- (3) See Derating Curve.

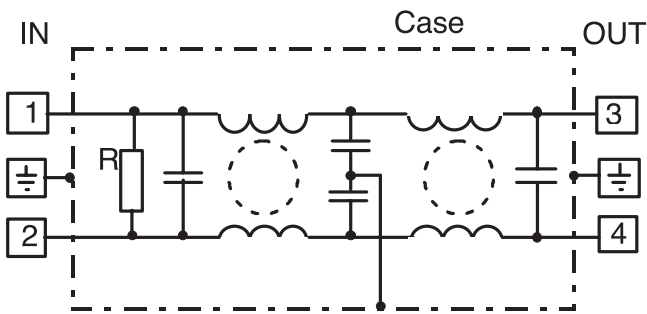
Outline Drawing



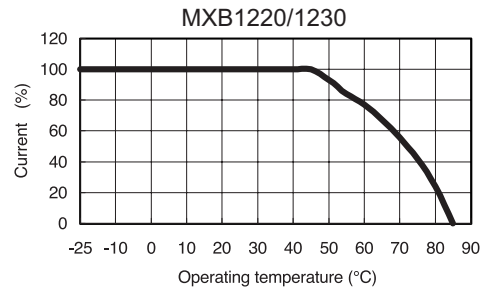
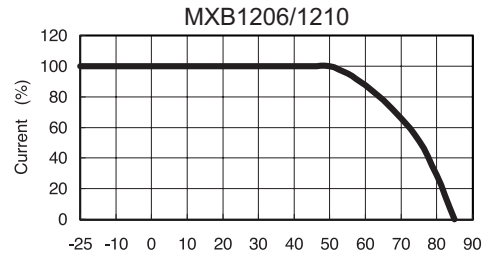
Dimensions

Model	L x H x W (mm)			Weight (g)
	A	B	C	
MXB1206-33	111	26	47	220
MXB1210-33	121	30	47	310
MXB1220-33	151	35	52	530
MXB1230-33	151	35	67	660

Circuit

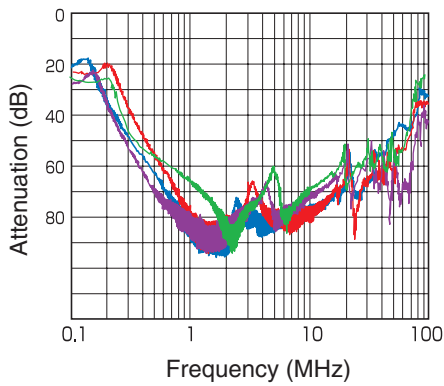


Derating



Typ. Attenuation, Symmetrical

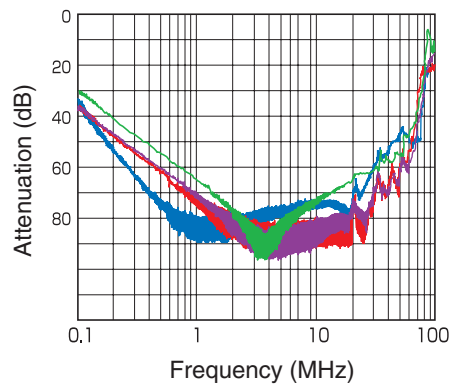
MXB1206-33 MXB1210-33



MXB1220-33 MXB1230-33

Typ. Attenuation, Asymmetrical

MXB1206-33 MXB1210-33



MXB1220-33 MXB1230-33

For Additional Information, please visit
us.tdk-lambda.com/lp/products/mxb-series.htm



Last time buy - June 1, 2014