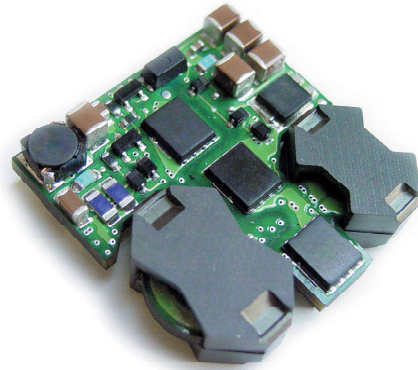


33-41W Pico Brick Converter

Features

- ◆ Compact 30.5 x 29.3 x 8.1 mm
- ◆ 36-75VDC Input
- ◆ 3.3V 10A, 15V 2.75A Nominal Outputs
- ◆ Surface Mount
- ◆ Low 8.81mm Profile
- ◆ 1500VDC Basic Isolation
- ◆ High operating efficiency (up to 89%)
- ◆ Constant switching frequency
- ◆ 33% smaller than eighth brick



Specifications		iPB480			
Model		3.3	5	12	15
Nominal Output Voltage	VDC	3.3	5	12	15
Input Voltage Range	VDC	36 - 75			
Input Current (max)	A	2.0 - 2.2 Amps model dependent			
Output Voltage Tolerance	VDC	3.19-3.41	4.8-5.2	11.52-12.48	14.4-15.6
Ripple & Noise (max)(pk to pk) (1)	mV	125		100	
Line Regulation (max)	mV	6	8	24	30
Load Regulation (max)	mV	12	15	96	120
Overload Protection (typ)	%	Inception- 120-150% of rated output; Short circuit - auto recovery			
Overvoltage Protection (typ)	VDC	4	10	19	19
Remote Sense	-	No			
Remote On / Off	-	Yes (Negative Logic)			
Temperature (operating)	°C	-40 to 115		-40 to 125	
Temperature (storage)	°C	-55 to 125			
Humidity (operating)	-	20-95% RH Non condensing			
Humidity (storage)	-	Per IPC / JEDEC J-STD-020, for MSL-1 (<30°C/85%RH) in original packaging			
Cooling	-	Convection or forced air			
Isolation Voltage	VDC	1500			
Vibration (non operating)	-	5 to 50Hz @ 0.5g (4.9m/s ²), and 50 to 500Hz @ 1.5g (14.7m/s ²) per Bellcore TR-EOP-000063-5.4.4			
Shock	-	196.1m/s ²			
Safety Agency Approvals	-	UL60950 (US and Canada), VDE0805 (IEC60950), CB scheme (IEC60950), CE Mark (LVD)			
Weight (max)	g	18			
Size	mm	30.5 x 29.3 x 8.81			
Warranty	-	3 years			

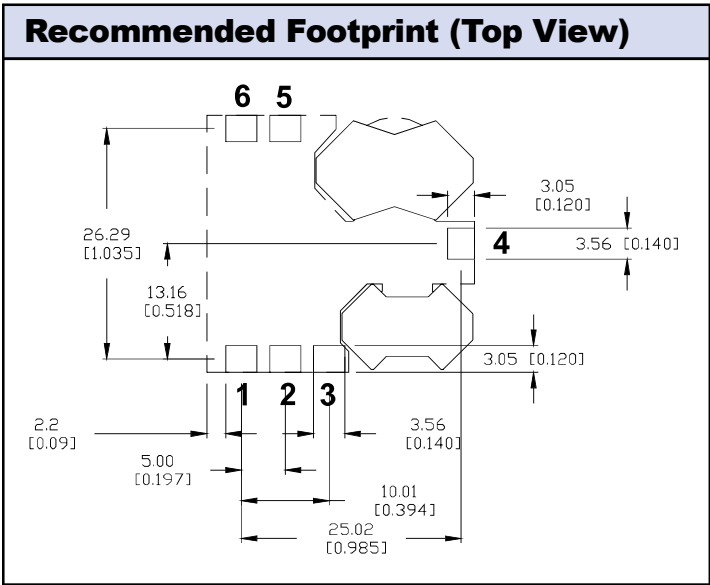
Notes: See website for detailed specifications

- (1) Measured across one 3.3µF ceramic capacitor and one 10µF Tan capacitor;
BW = 20MHz

Not recommended for new designs

3.3V and 5V models last time buy October 13th, 2017

Model Selector					
Model	Output Voltage (V)	Voltage Adjust (V)	Output Curr. (A)	Max. Output Power (W)	Efficiency at Full Load (%)
iPB48010A033V-001-R	3.3	2.97 - 3.46	10	33	88
iPB48007A050V-001-R	5	4.5 - 5.5	7	35	89
iPB48004A120V-001-R	12	10.8 - 13.2	3.5	42	88
iPB48003A150V-001-R	15	13.5 - 16.5	2.75	41	87



Pinout

PIN	Function
1	Vout (+)
2	Vout (-)
3	Vout Trim
4	On / Off
5	Vin (-)
6	Vin (+)

For Additional Information, please visit us.tdk-lambda.com/lp/products/ipb-series.htm



Not recommended for new designs

3.3V and 5V models last time buy October 13th, 2017